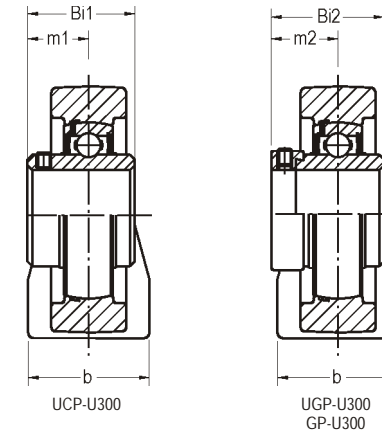


Ø eixo mm pol	Caixa	Dimensão nominal (mm)								Paraf.
		h	a	e	b	s1	s2	g	w	
1-1/4 35 1-7/16	P-U307	60,3	235	187	60	16	29	25	119	M14 5/8
1-11/16 1-3/4 45	P-U309	73,0	261	210	76	16	29	33	143	M14 5/8
1-7/8 1-15/16 50	P-U310	79,4	283	226	80	16	29	35	158	M14 5/8
2 55 2-3/16	P-U311	88,9	321	261	86	20	32	38	173	M18 3/4
2-1/4 2-5/16 60 2-7/16 65	P-U312	92,1	349	286	90	20	35	41	183	M18 3/4
2-11/16 70	P-U314	101,6	372	300	95	26	41	41	202	M24 7/8
2-15/16 75 3	P-U315	108,0	384	305	102	26	42	44	211	M24 7/8



Peso (Kg)		D	Rolamentos			
UCP-U3	UGP-U3 GP-U3		UC 300		UG 300 / G 300	
			Bi1	m1	Bi2	m2
3,50	3,50	80,0	48,0	29,0	51,6	33,3
5,50	5,70	100,0	57,0	35,0	58,7	38,9
7,20	7,30	110,0	61,0	39,0	66,6	42,0
9,30	9,65	120,0	66,0	41,0	73,0	45,2
11,90	12,10	130,0	71,0	45,0	76,5	47,0
17,20	17,70	150,0	78,0	45,0	92,1	58,0
16,80	18,0	160,0	82,0	50,0	100,0	62,7